



ET18

Tracked conventional excavator

Overall performance that's impressive

With the excavator ET18, Wacker Neuson sets new standards in the 1.7 to 2.4 metric ton class. The combination of time-tested and proven elements and intelligent development approaches are demonstrated in the extra performance and efficiency. Well thought-out features such as a large cabin and the two-part front windshield mechanism also increase the operator's comfort.

Highlights

- Hydraulic joystick operation
- Powerful drive system
- Hydraulic telescopic travel gear with dozer blade extension
- VDS Vertical Digging System
- Second cabin door for entry and exit on both sides

Technical Data

Hydraulic

operating pressure	200,0 bar
hydraulikpump	Doppelverstell- u. 2 Zahnradp.
flow rate	73,0 l/min
flow rate max.	73,0 l/min
tank capacity	19,0 l

Mechanical - Output Details

Gradeability	58,0 %
Travel speed	5,3 km/h

Mechanical Details

Length	3.854,0 mm
Width	990,0 mm
Height	2.289,0 mm
Aggr. pwr time limited 1~(LTP)	1.725,0 - 2.405,0 kg
Digging depth (max.)	2.402,0 mm

Engine

Cooling	water-cooling
---------	---------------

Engine type	Diesel engine
Cylinder	3,0
Cylinder capacity	1.116,0 cm ³
Effective power	13,8 KW
Nominal Engine speed	2.200,0 1/min
Exhaust-gas limit	EU Stage V
Battery capacity (nom. value)	44,0 Ah
Manufacturer	Yanmar
Engine designation	3TNV76

Environment Data

Sound level LpA	77,0 dB(A)
Sound power LWA, guaranteed	93,0 dB(A)

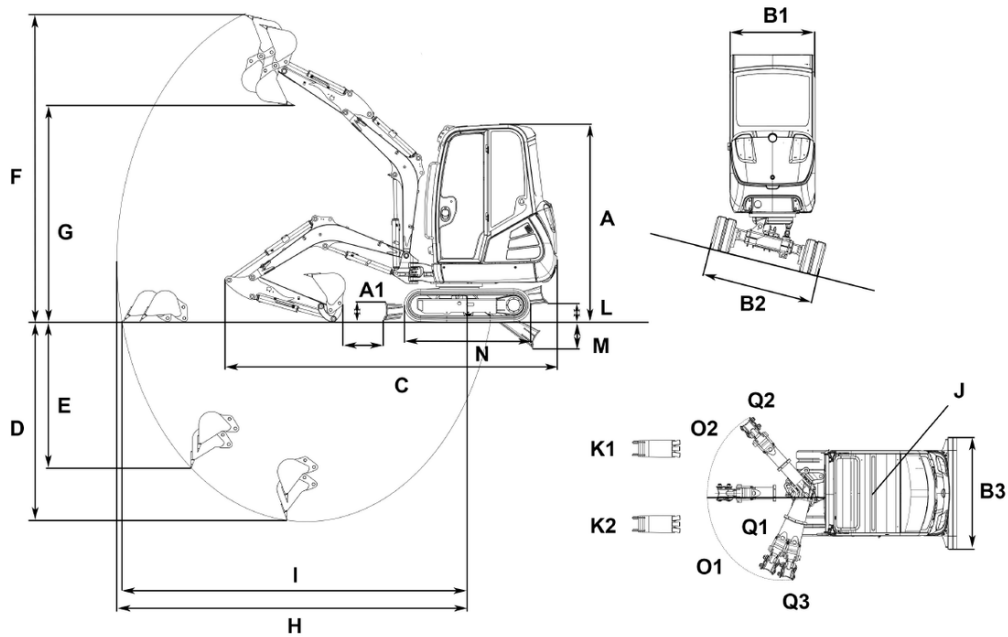
Chassis

operating pressure	200,0 bar
--------------------	-----------

Shipping and Storage

Shipping weight	1.582,0 kg
-----------------	------------

Dimensions



A	Height with cab	2,285 mm
	Height of canopy	2,289 mm
A1	Height of dozer blade	230 mm
A	Total height with rotating beacon	2,470 mm
B1	Width of upper carriage	990 mm
B2	Width travel gear	1,300 mm
	Width travel gear retracted	990 mm
B3	Width of dozer blade	990 mm
C	Transport length	3,854 mm
D	Digging depth max., short shovel arm	2,202 mm
	Digging depth max., long shovel arm	2,402 mm
E	Piercing depth max., short shovel arm	1,415 mm
	Piercing depth max., long shovel arm	1,600 mm
F	Piercing height max., short shovel arm	3,447 mm
	Piercing height max., long shovel arm	3,558 mm
G	Dumping height max., short shovel arm	2,510 mm
	Dumping height max., long shovel arm	2,621 mm
H	Digging radius max., short shovel arm	3,802 mm
	Digging radius max., long shovel arm	3,989 mm
I	Max. reach at ground level (short shovel arm)	3,700 mm
	Max. reach at ground level (long shovel arm)	3,894 mm
J	Tail swing radius	1,169 mm
K1	Boom offset max. (to center of bucket right side)	516 mm
K2	Boom offset max. (to center of bucket left side)	359 mm
L	Stacking height max. (dozer blade above surface)	209 mm
M	Digging depth max. (dozer blade below surface)	311 mm
N	Length travel drive	1,462 mm
O1	Max. swivel angle (arm system to the left)	77 °
O2	Max. swivel angle (arm system to the right)	48 °
	Track width	230 mm
Q1	Boom swing radius center	1,584 mm
Q2	Boom swing radius right	1,501 mm
Q3	Boom swing radius left	1,279 mm