



## DV90

### Dual View Dumper

Safety redefined: clear view in the DV90 Dual View Dumper

With the Dual View Dumper concept, safety has been redefined. The rotatable operator's seat is easy and efficient to use. With the 180° rotation, the operator maintains an excellent view of the skip with its content as well as the work area. Visibility is unmatched with the 360° view. In the main direction of travel, the operator has a perfect field of vision, similar to a truck, and with the hydrostatic drive system with automatic ECO mode, valuable time and money are saved on the construction site. The safety features additionally available complete the Dual View and almost make it the safest place on the construction site.

### Highlights

- Hydrostatic 4-wheel drive with automatic ECO mode
- Rotating seat
- Cab
- Sturdy skip guard
- Spring-loaded parking brake

### Technical Data

#### Hydraulic

Operating pressure	240.0 bar
hydraulikpump	ZRP
Flow rate	70.0 l/min

#### Mechanical - Output Details

Gradeability	50.0 %
Travel speed	30.0 km/h

#### Mechanical Details

Length	4,919.0 mm
Width	2,524.0 mm
Height	3,620.0 mm
Payload	9,000.0 kg
Skip capacity levelled	3,600.0 l
Skip capacity heaped	4,500.0 l
Skip capacity waterlevel	2,350.0 l
Operating weight (min.-max.)	4,691.0 - 5,444.0 kg

#### Engine

Cooling	Water-cooling
Engine type	Diesel engine
Cylinder capacity	2,925.0 cm <sup>3</sup>
Effective power	55.4 KW
Nominal Engine speed	2,200.0 1/min
Maximum torque	260.0 Nm
Engine speed (max. torque)	1,800.0 1/min
Manufacturer	Deutz

#### Environment Data

Sound power LWA, guaranteed	101.0 dB(A)
-----------------------------	-------------

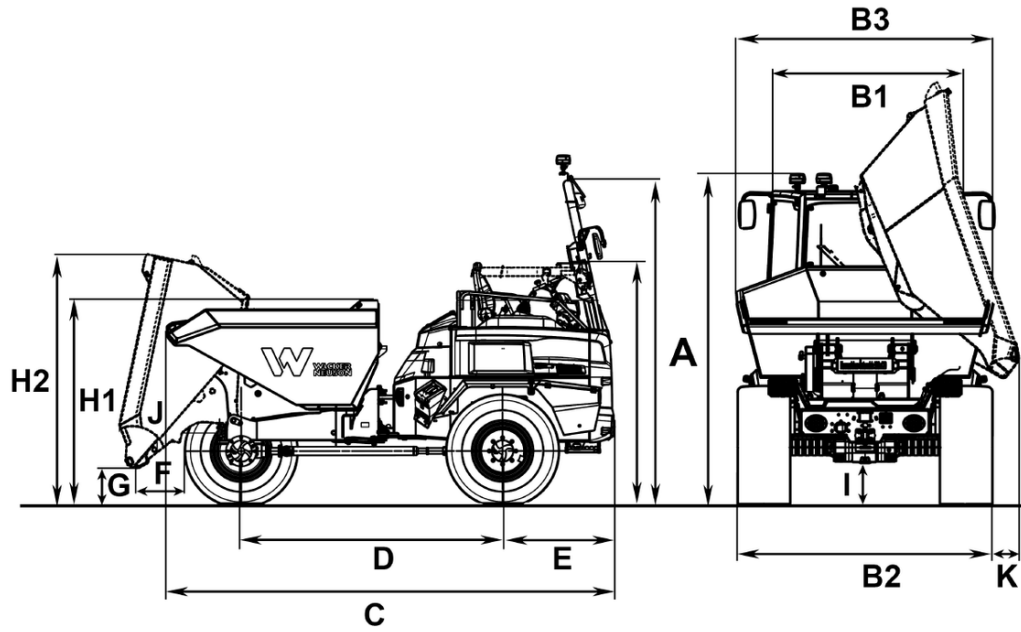
#### Chassis

Turning radius	6,760.0 mm
Articulation angle	28.0 °
hydraulikpump	Axialpistonpump
Flow rate	123.0 l/min

#### Shipping and Storage

Shipping weight	4,545.0 kg
-----------------	------------

## Dimensions



A	Height ROPS	3,382 mm
	Height with cab	2,945 mm
	Height of canopy	2,945 mm
	Height of ROPS tilted	2,405 mm
B1	Width of cab	1,563 mm
B2	Width of vehicle	2,420 mm
B3	Width of skip	2,497 mm
C	Total length ROPS	4,622 mm
	Total length of cab	4,622 mm
D	Wheel base	2,700 mm
E	Rear overhang	1,157 mm
F	Dumping width	520 mm
G	Dumping height max.	357 mm
H1	Skip height	2,104 mm
H2	Skip height tilted	2,723 mm
I	Ground clearance	357 mm
J	Dumping angle	48 °