



DT08

Track dumper

The rental center professional

With its {800 kg}{1764} payload and only 79 cm machine width, the DT08 is the perfect fit for rental fleets. The low-maintenance and intuitive-to-operate hydrostatic drive system allows simple operation, even for inexperienced operators. At the same time, it is gentle on the subbase due to its wide tracks and the perfectly balanced center of gravity with low ground pressure. The sturdy travel gear design ensures durability and low wear.

Highlights

- Hydrostatic drive
- Small dimensions
- Diesel or gasoline engine

Technical Data

Hydraulic

| | |
|----------------|------------|
| hydraulikpump | ZRP |
| Flow rate max. | 41.0 l/min |

Mechanical - Output Details

| | |
|--------------|----------|
| Gradeability | 36.0 % |
| Travel speed | 4.0 km/h |

Mechanical Details

| | |
|--------------|------------|
| Length | 1,660.0 mm |
| Width | 790.0 mm |
| Height | 1,203.0 mm |
| Weight | 460.00 kg |
| Payload max. | 800.0 kg |

| | |
|------------------------------|------------------|
| skip | Front tip skip |
| Skip capacity levelled | 334.0 l |
| Skip capacity heaped | 387.0 l |
| Operating weight (min.-max.) | 595.0 - 710.0 kg |

Engine

| | |
|----------------------|-----------------|
| Engine type | Gasoline engine |
| Effective power | 6.8 KW |
| Nominal Engine speed | 3,600.0 1/min |

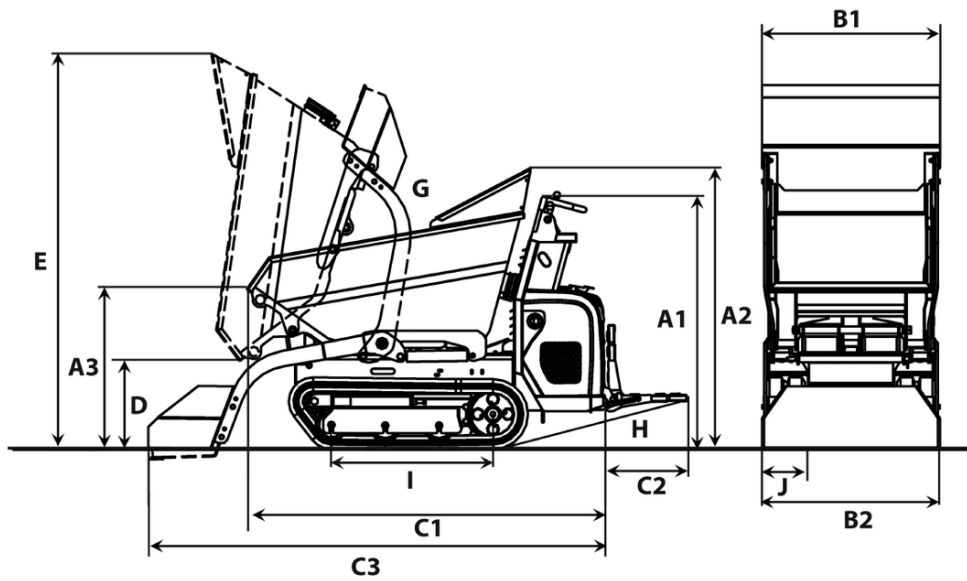
Environment Data

| | |
|-----------------------------|-------------|
| Sound power LWA, guaranteed | 101.0 dB(A) |
|-----------------------------|-------------|

Shipping and Storage

| | |
|-----------------|----------|
| Shipping weight | 520.0 kg |
|-----------------|----------|

Dimensions



| | | |
|----|---|----------|
| A1 | Height above operator's stand | 1,243 mm |
| A2 | Height over skip hand guard | 1,304 mm |
| A3 | Height front edge of skip | 750 mm |
| B1 | Width of skip | 830 mm |
| B2 | Width of vehicle | 800 mm |
| | Width with self-loading equipment | 830 mm |
| C1 | Total length without footboard | 1,789 mm |
| C2 | Length footboard | 398 mm |
| C3 | Length with self-loading equipment, without footboard | 2,264 mm |
| D | Dumping height max. | 410 mm |
| E | Skip height tilted | 1,840 mm |
| I1 | Ground clearance | 110 mm |
| G | Dumping angle | 72 ° |
| H | Rollback angle footboard | 12 ° |
| I | Length chain stand | 769 mm |
| J | Track width | 180 mm |