



## 1001 Wheel dumper

### The all-rounder

The 1001 is the perfect solution for confined spaces. The extremely compact machine is available with a 990 mm width and can fit through narrow passages. Thanks to the typical articulated pendulum joint and the low-maintenance twin-lock 4-wheel drive system, traction remains guaranteed on every terrain. The fold-down roll over protection system provides a high level of safety and still ensures problem-free use and transport in narrow spaces. A wide control station and the intuitive operating concept also provide a high level of comfort on the machine. Easily reachable service accesses top off the overall package.

## Highlights

- Twin-lock 4-wheel drive system
- Articulated pendulum joint
- Small dimensions

## Technical Data

### ■ Mechanical - Output Details

Gradeability	45.0 %
Travel speed	14.0 km/h

### ■ Mechanical Details

Length	3,080.0 mm
Width	1,180.0 mm
Height	2,580.0 mm
Weight	1,261.00 kg
Payload	1,000.0 kg
Skip capacity levelled	415.0 l
Skip capacity heaped	525.0 l
Pendulum angle	15.0 °
Operating weight (min.-max.)	1,230.0 - 1,500.0 kg

### ■ Engine

Engine type	Diesel engine
-------------	---------------

Cylinder capacity	1,116.0 cm <sup>3</sup>
Effective power	17.0 KW
Nominal Engine speed	3,000.0 1/min
Standard (Effective power)	ISO 3046
Manufacturer	Yanmar
Engine designation	3TNV76

### ■ Environment Data

Sound power LWA, guaranteed	101.0 dB(A)
-----------------------------	-------------

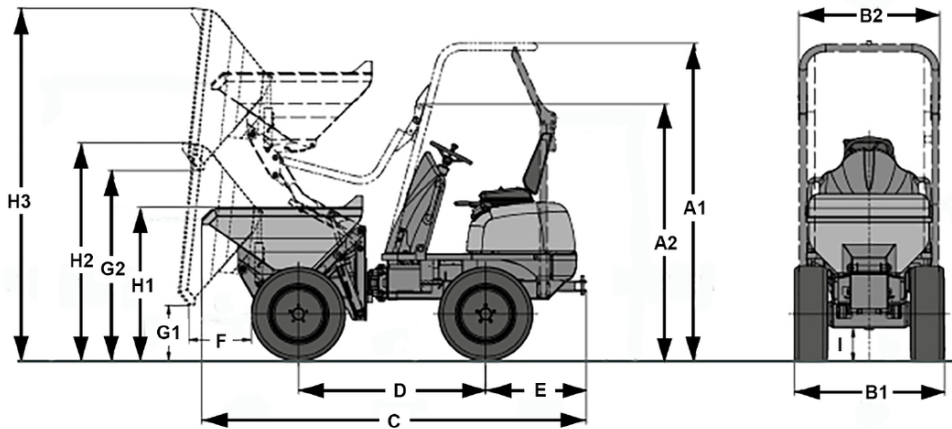
### ■ Chassis

Turning radius	3,200.0 mm
Articulation angle	33.0 °
hydraulikpump	Axialpistonpump
Flow rate	84.0 l/min

### ■ Shipping and Storage

Shipping weight	1,155.0 kg
-----------------	------------

## Dimensions



A1	Height ROPS	2,580 mm
A2	Height of ROPS tilted	2,080 mm
B1	Width of vehicle	1,180 mm
B2	Width of skip	990 mm
D	Wheel base	1,500 mm
E	Rear overhang	810 mm
F	Dumping width	510 mm
G1	Dumping height max.	465 mm
G2	Dumping height max., high tip skip raised	1,560 mm
H1	Skip height	1,230 mm
H2	Skip height tilted	1,770 mm
H3	Skip height tilted, high tip skip raised	2,860 mm
I	Ground clearance	270 mm